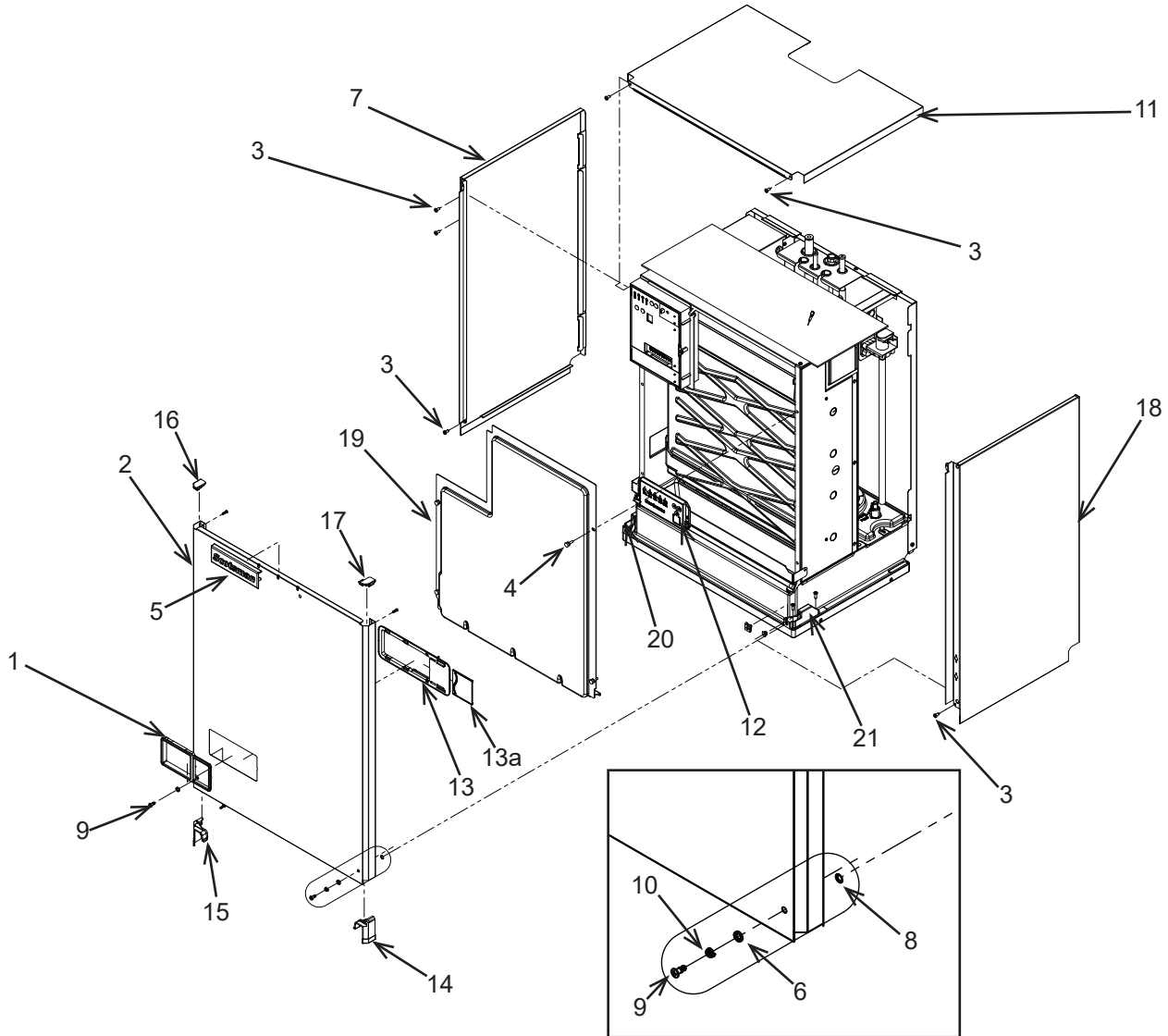




# ECC and MC222L Service Parts

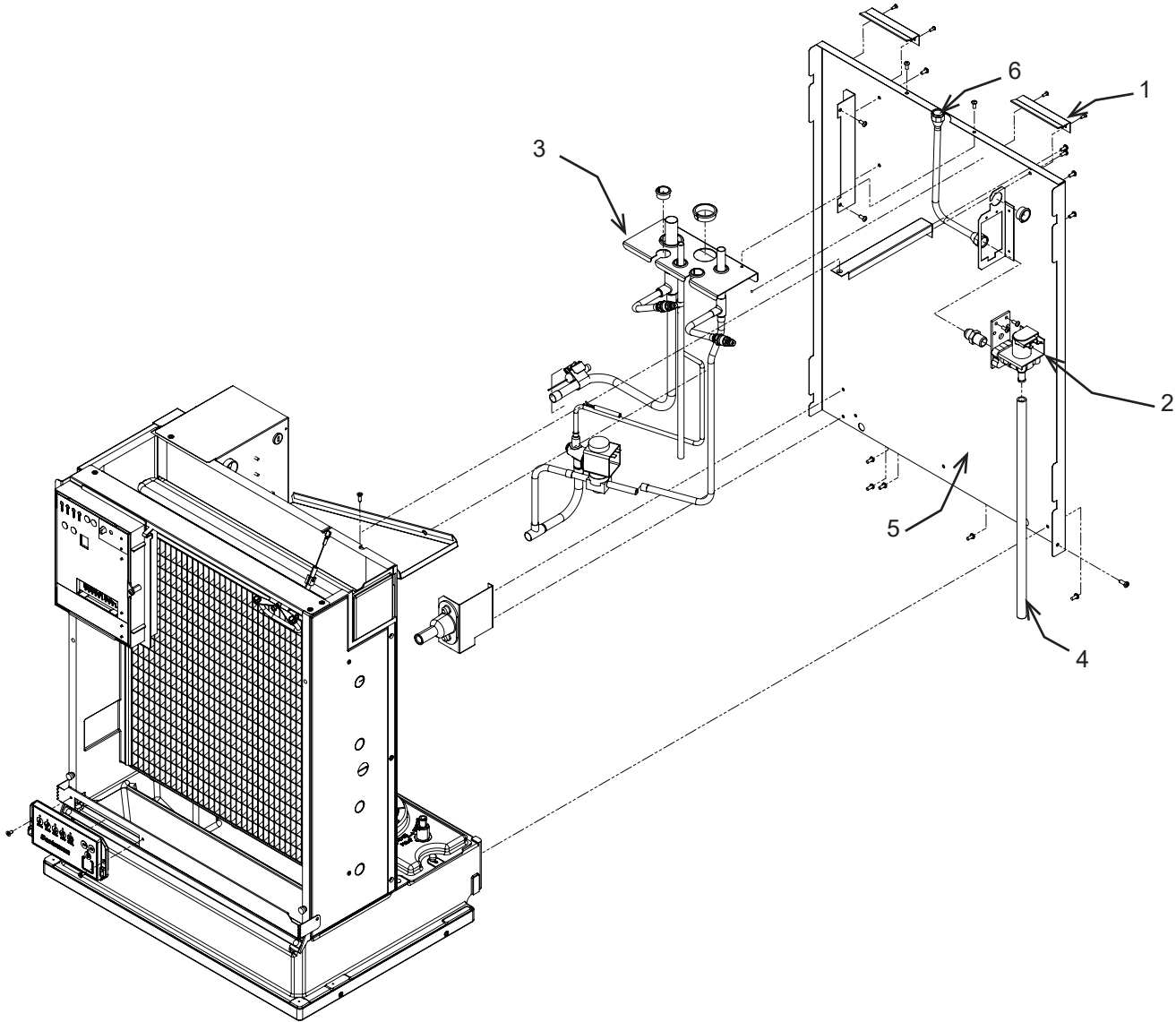
## MC222 Cabinet



Item Number	Part Number	Description
1	02-5142-01	Bezel, outer
2	A41141-030	Front Panel Complete
3	03-1404-10	Screw #8 X 1/2,
4	03-0727-05	Thumb Screw, #8-32 X 1/2
5	02-5154-01	Badge
6		Use panel mount kit see # 20 & 21
7	A41143-025	Left Side Panel
8		Use panel mount kit see # 20 & 21
9		Use panel mount kit see # 20 & 21
10		Use panel mount kit see # 20 & 21
11	A41142-025	Top Panel
12	11-0642-21	Membrane
	12-3168-02	Membrane harness
13	02-5142-02	Bezel, Includes Standard Door
13a	02-5143-01	Standard Bezel Door (Door Only)
13b	02-5143-02	Secure Bezel Door (Door Only)
14	02-5141-02	Right bottom corner
15	02-5141-01	Left bottom corner
16	02-5140-01	Left top corner
17	02-5140-02	Right top corner
18	A41156-021	Right Side Panel
19	02-4341-01	Inner Front Panel
20	02-5151-21	Panel mount kit left
21	02-5151-22	Panel mount kit right

# ECC and MC222L Service Parts

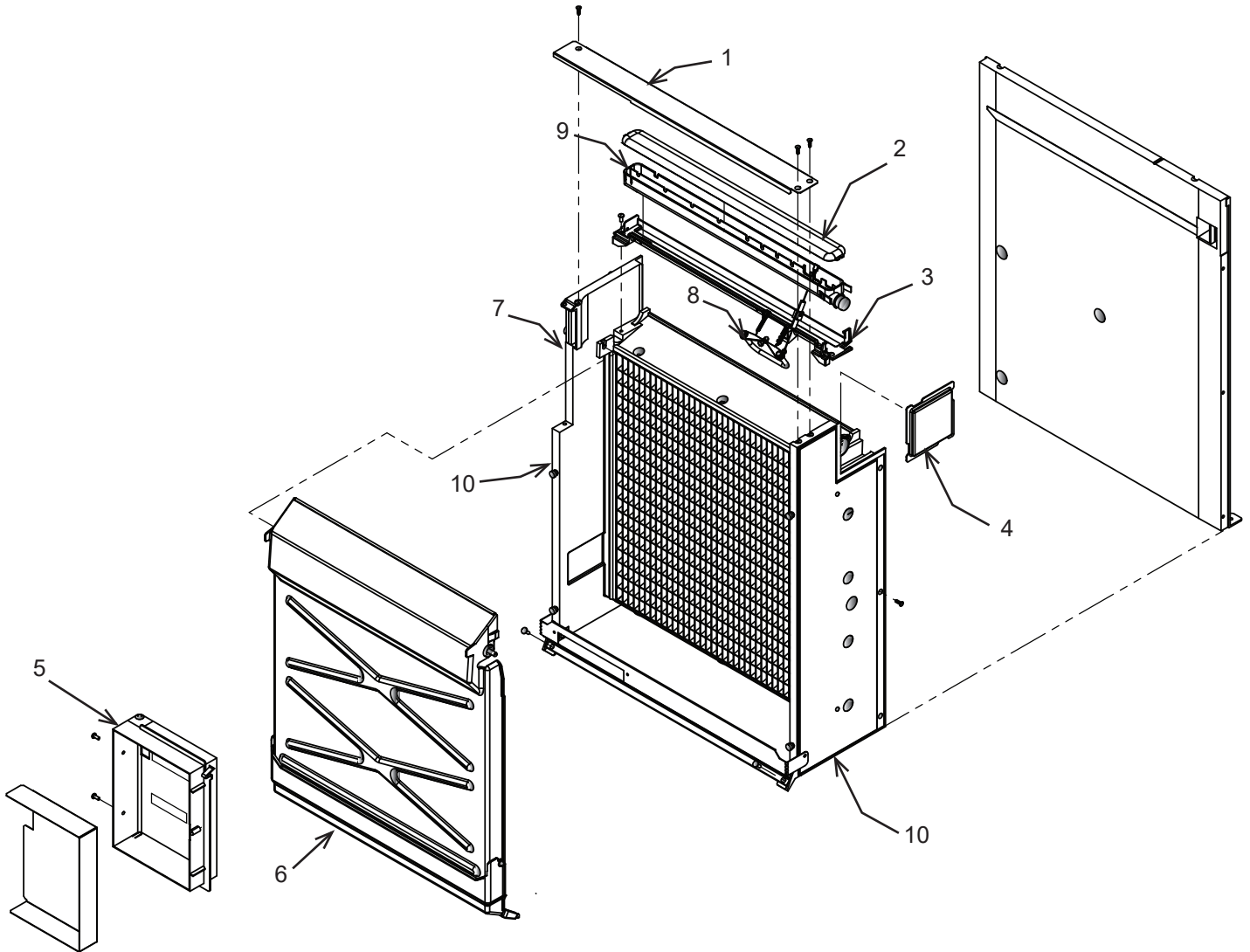
## Back Panel Assembly



Item Number	Part Number	Description
1	A39070-001	Top panel bracket
2	12-3124-01	Inlet water sol valve, 115/60 Hz
3	A40105-001	Utility bracket
4	13-0674-02	Tube, use 16 in
5	A40185-001	Back panel
6	16-1036-01	Water Inlet Fitting

# ECC and MC222L Service Parts

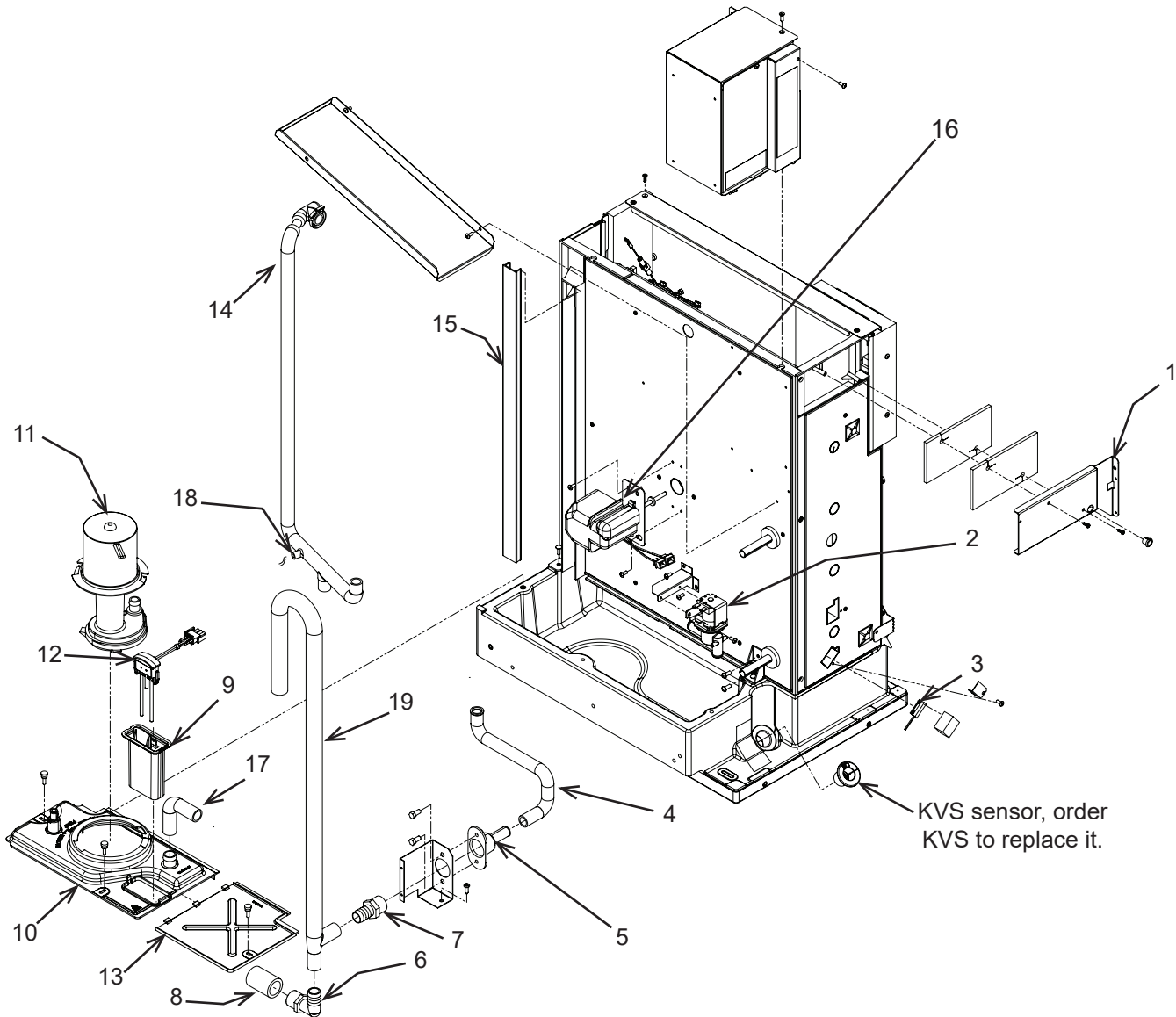
## MC222 Interior Parts



Item Number	Part Number	Description
1	A39078-001	Bracket
2	02-4065-01	Water distributor cover
3	02-4205-02	Mounting bracket
4	02-4297-01	Evap side cover
5	02-4343-01	Controller box
6	02-4611-21	Curtain only (articulated)
7	A39053-021	Evaporator, small cube
	A39053-022	Evaporator, med cube
8	A41191-021	Ice thickness sensor
9	02-4064-02	Water distributor
10	A39054-001	Left surround
	A39056-001	Right surround

# ECC and MC222L Service Parts

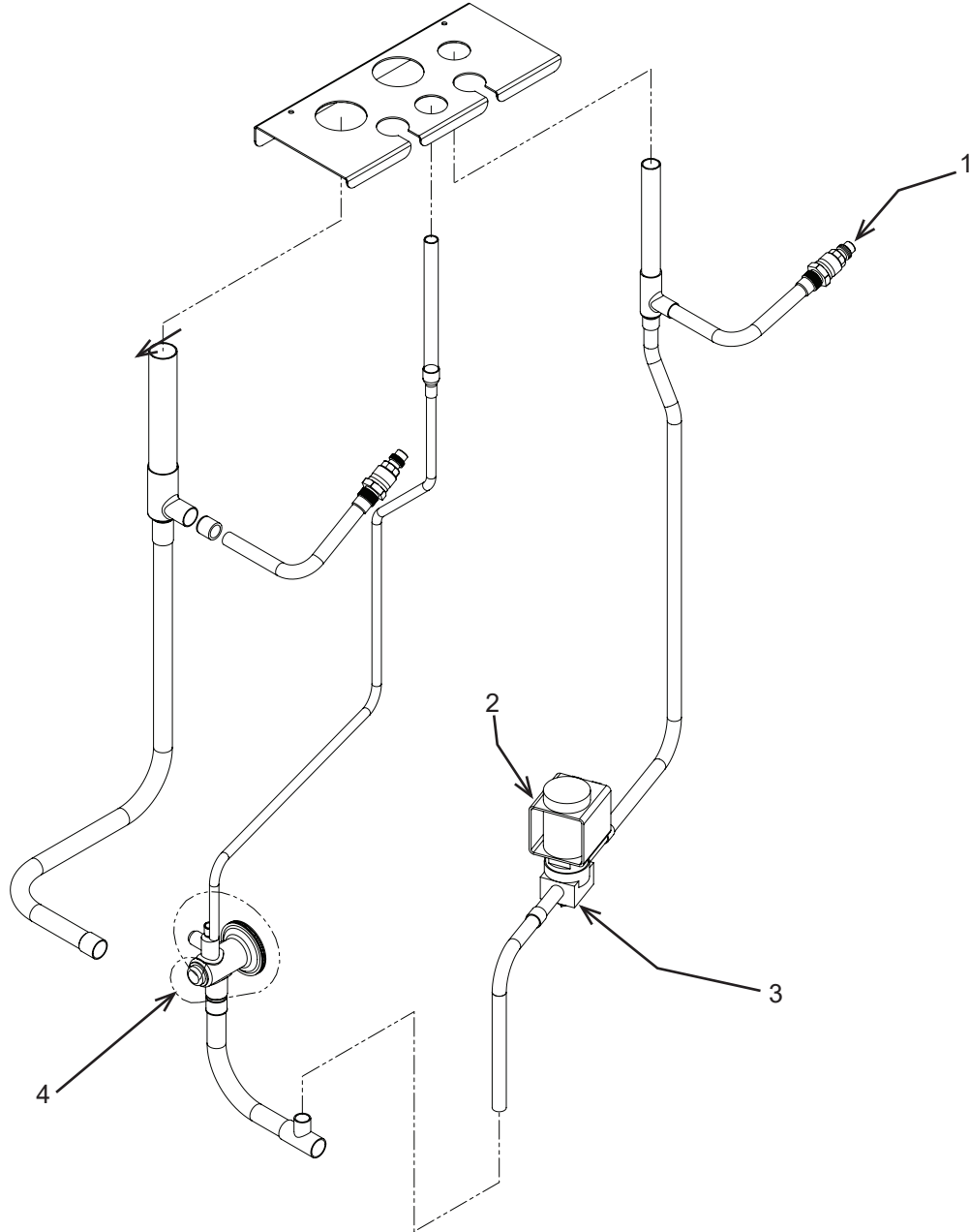
## MC222 Water System



Item Number	Part Number	Description	Part Number	Description	
1	A39277-001	Chase cover	12-2920-25	Water pump, 50 Hz	
2	11-0564-01	Purge valve - 60 Hz	12	A41192-021	Water level sensor
	11-0564-02	Purge valve - 50 Hz	13	02-4292-01	Sump cover
3	11-0563-03	Curtain switch	14	02-4286-01	Pump hose
4	A39232-002	Drain hose	15	02-4296-01	Hose cover
5	02-3692-21	Drain adapter	16	12-3060-21	Harvest assist sol, 60 Hz
6	16-1099-01	Fitting		12-3060-22	Harvest assist sol, 50 Hz
7	16-1134-01	Elbow	17	A39232-001	Drain tube, inlet
8	16-1099-02	Coupling, pvc	18	11-0515-21	Water temp sensor
9	02-4646-01	Sensor guard,	19	02-4290-01	Drain and vent tube
10	02-4650-01	Pump bracket			
11	12-2920-24	Water pump, 60 Hz			

# ECC and MC222L Service Parts

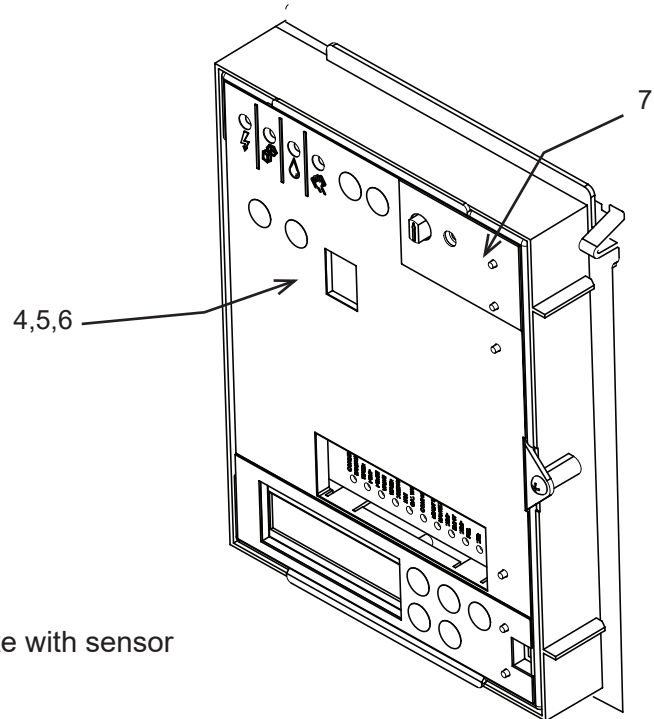
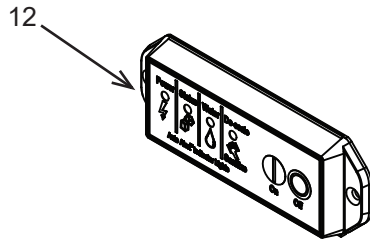
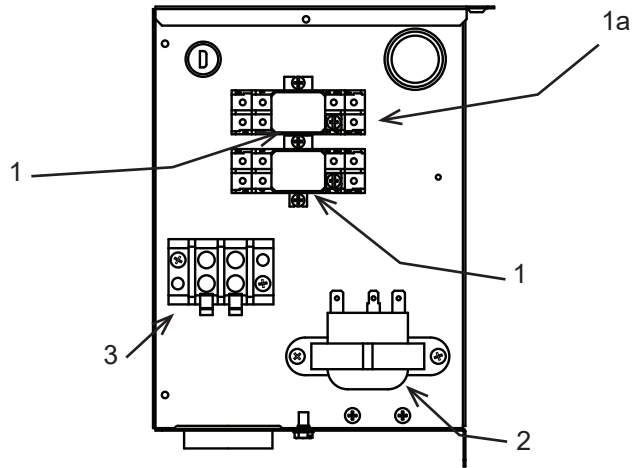
## MC222 Refrigeration



Item Number	Part Number	Description
1	16-1137-01	Access valve seat
	16-1140-01	Access valve cap
	16-1139-01	Access valve core
2	12-2719-21	Coil, 115 volt
3	11-0493-03	Vapor solenoid valve, - 115/60 Hz
4	16-1142-01	TXV
4a	19-0599-06	Insulation, TXV

# ECC and MC222L Service Parts

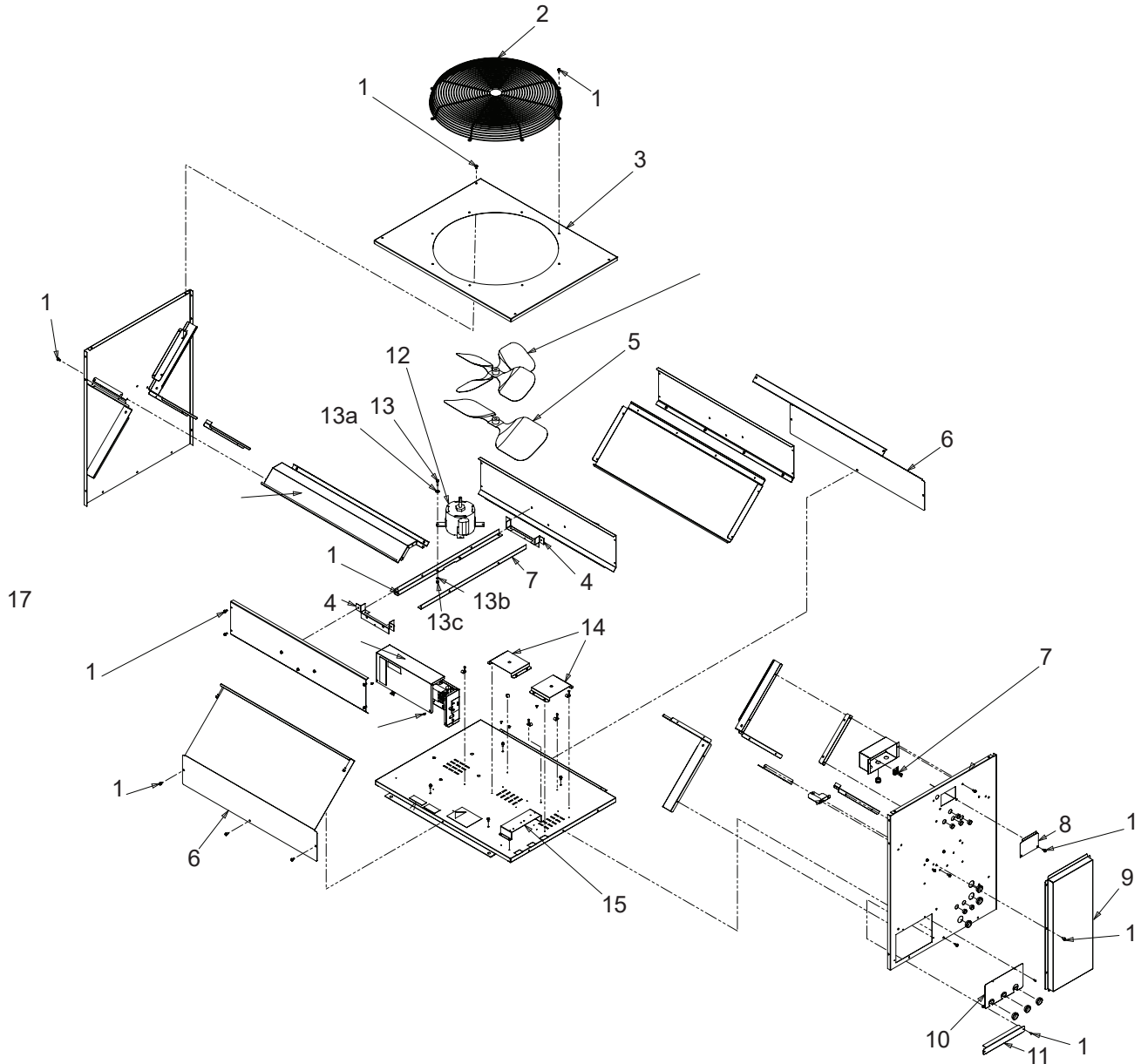
## MC222 Electrical



Item Number	Part Number	Description
1	12-2949-01	Relay, 60 Hz
1a	12-2949-02	Relay base
2	12-2924-01	Transformer, 60 Hz
3	12-2780-01	Terminal strip
4	11-0640-21	Service controller
5	02-5166-01	Overlay label
6	02-4076-01	Control box door
7	KVS	Vari-Smart control, complete with sensor
Not shown:		
8	12-1638-19	Power cord, 60 Hz
9	12-2957-01	High voltage harness, 60 Hz
10	12-2954-01	Low voltage harness, 60 Hz
11	12-3185-01	Water level sensor harness
12	11-0642-21	Lower switch panel, with harness

# ECC and MC222L Service Parts

## ECC Cabinet and Fan

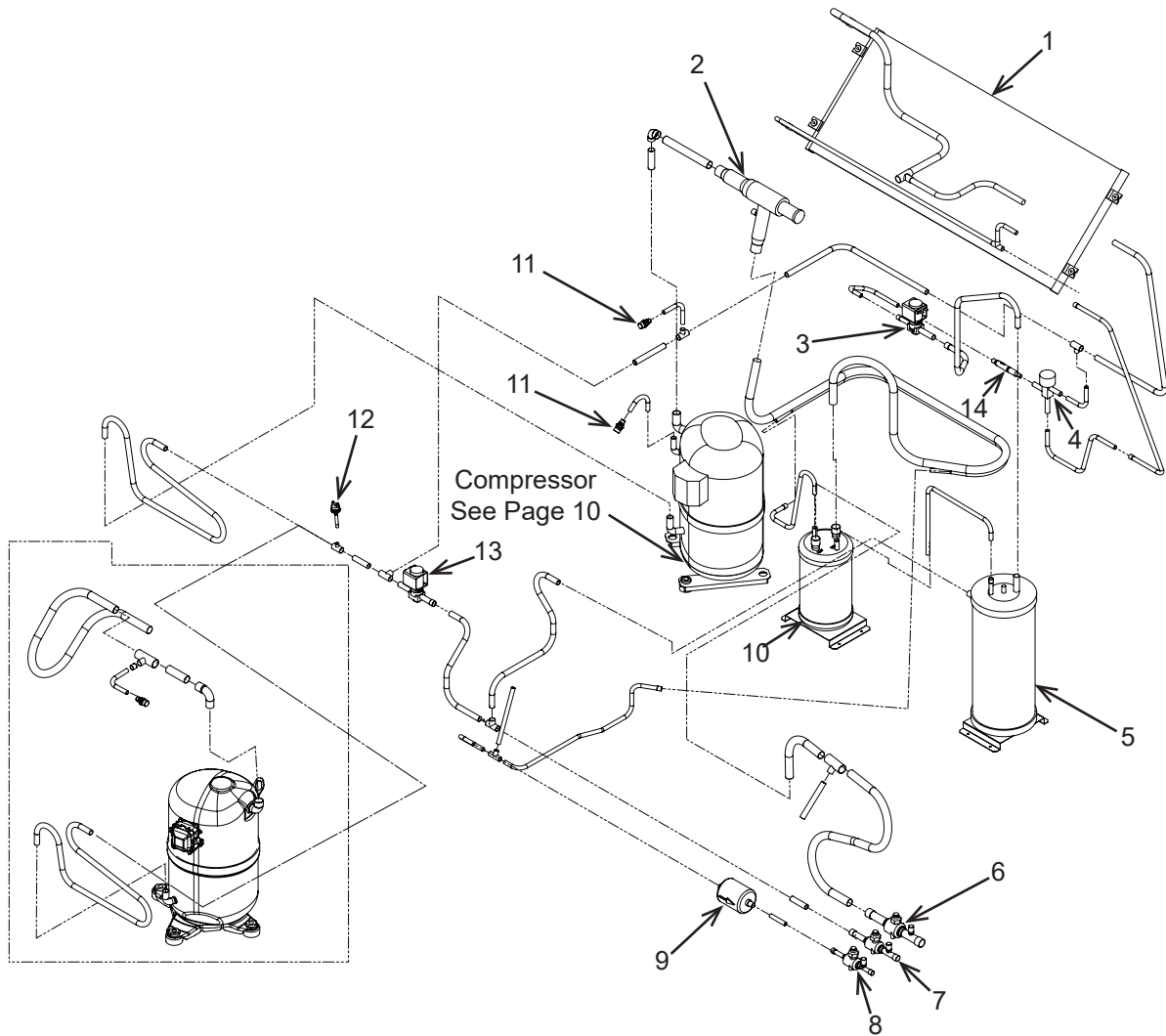


Item Number	Part Number	Description
1	03-1645-01	Screw
2	02-3770-01	Fan guard, 0800, 1410
3	A39744-002	Top panel, 0800, 1410
4	A37282-001	Support
5	18-8820-01	Fan blade, 0800, 1410
6	A40100-001	Cover
7	A39749-001	Motor bracket
8	A37128-001	Box cover
9	A40091-001	Chase cover
10	A40094-001	Valve cover
11	A40106-001	Lower cover
12	12-2651-03	Fan motor, 0800
	12-3135-01	ECM Fan motor
	12-2949-04	Fan relay
	12-2717-02	Fan motor, 1800
13	03-1405-08	Hex bolt
13a	03-1407-06	Flat washer
13b	03-1410-03	Lock washer
13c	03-1406-08	Nut
14	A37948-001	Bracket
15	A40093-001	Bracket



# ECC and MC222L Service Parts

## ECC Refrigeration Components



Item Number	Part Number	Description
1	18-8945-22	Coil
2	16-1096-21	CPR valve
3	11-0546-01	Liquid line inlet valve
4	11-0422-22	Head master valve
5	16-1085-03	Receiver
6	16-1208-03	Ball valve 3/4
7	16-1208-02	Ball valve 1/2
8	16-1208-01	Ball valve 3/8
9	02-3319-02	Dryer
10	16-1157-21	Accumulator, 0800, 1410
	16-1122-21	Accumulator, 1800
11	16-1137-01	Access valve seat
	16-1139-01	Access valve core
	16-1140-01	Access valve cap
12	11-0501-22	High pressure cut out switch
13	11-0507-03	Bypass valve
14	16-1029-01	Check valve

# ECC and MC222L Service Parts

## ECC0800 and ECC1410 Compressors

Compressor - see table below

Model	Phase	Hz	Part Number
ECC0800-32	single	60	18-8813-23
ECC0800-3	three	60	18-8813-25
ECC0800-6	single	50	18-8749-27
ECC1410-32A	single	60	18-8965-21
ECC1410-32E	single	60	18-8726-23
ECC1410-3A	three	60	18-8965-22
ECC1410-3E	three	60	18-8726-25

Single phase 60 Hz compressors include starting components.

All include a drier.

All have internal overloads

12-3043-03 Crankcase heater for 18-8813, 18-8726 and 18-8749 type  
Crankcase heater for 18-8965 type is internal.

Mounting parts for compressors:

18-2300-27 Mounting grommet  
18-2300-26 Sleeve  
03-1407-07 Flat washer  
03-1405-20 Cap screw

Parts Shipped in condensing unit:

12-2865-01 75' Interconnecting harness

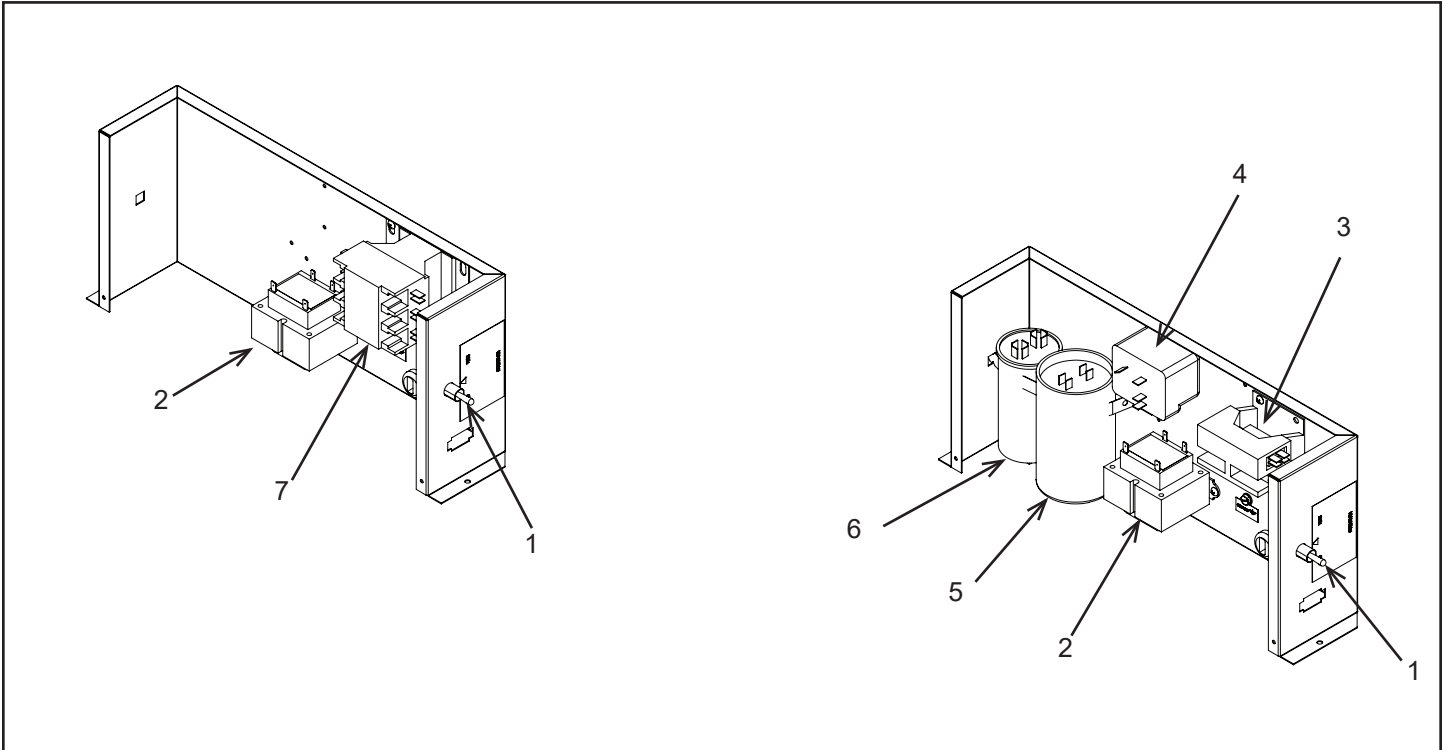
Note: Pin Extraction Tool is available.

TE Connectivity Part Number 305183

Here is an example [Link](#)

# ECC and MC222L Service Parts

## ECC0800 and ECC1410 Control Box



**Three Phase Control Box**

**Single Phase Control Box**

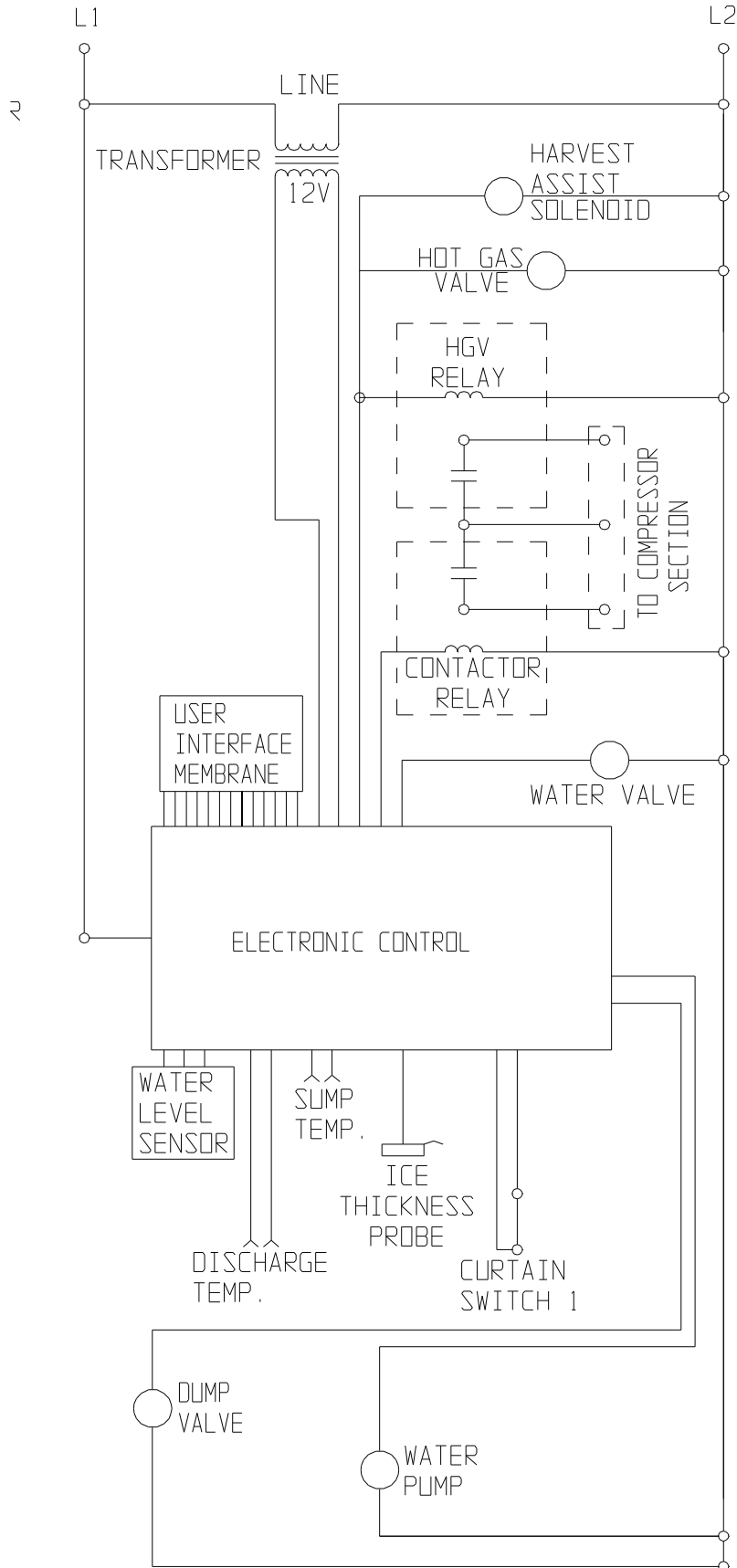
Item Number	Part Number	Description
1	12-2637-01	Toggle switch
2	12-2836-02	Transformer, 60 Hz models 230 volt to 24 volt
	12-2639-02	Transformer, 50 Hz models
3	12-2469-01	Single phase contactor

				A Series	E Series
		<b>ECC0800-32</b>	<b>ECC0800-6</b>	<b>ECC1410-32A</b>	<b>ECC1410-32E</b>
4	Comp. Relay	18-1903-33	18-1903-33	18-1903-72	18-1903-33
5	Start Capacitor	18-1901-15	18-1901-48	18-1901-59	18-1901-15
6	Run Capacitor	18-1902-69	18-1902-70	18-1902-69	18-1902-69

7	12-2533-01	Contactor, 3 phase
Not Shown:		
8	12-3043-03	Crankcase heater, 0800 and 1410E
9	12-2686-01	Fuse, 50 Hz models only
10	12-2687-01	Fuse holder, 50 Hz models only
11	12-2640-01	Terminal block, 50 Hz models only

# ECC and MC222L Service Parts

## MC222L Schematic Diagram



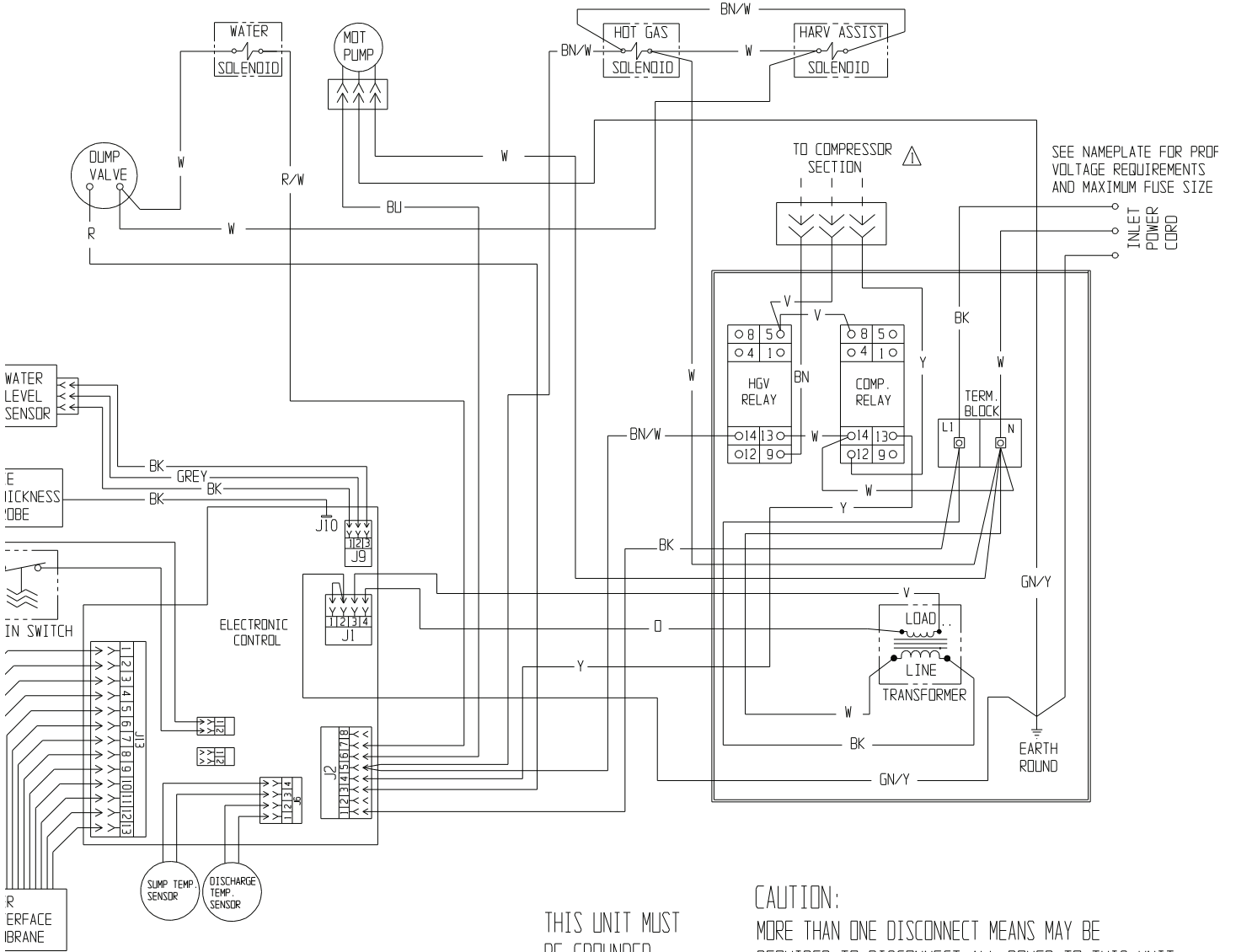
# ECC and MC222L Service Parts

## MC222L Wiring Diagram

17-3761-01

⚠ DASHED LINES INDICATE FIELD WIRING WHICH MUST BE INSTALLED IN ACCORDANCE WITH THE NATIONAL ELECTRICAL CODE AND ALL STATE AND LOCAL CODES.

USE COPPER CONDUCTORS



THIS UNIT MUST BE GROUNDED.

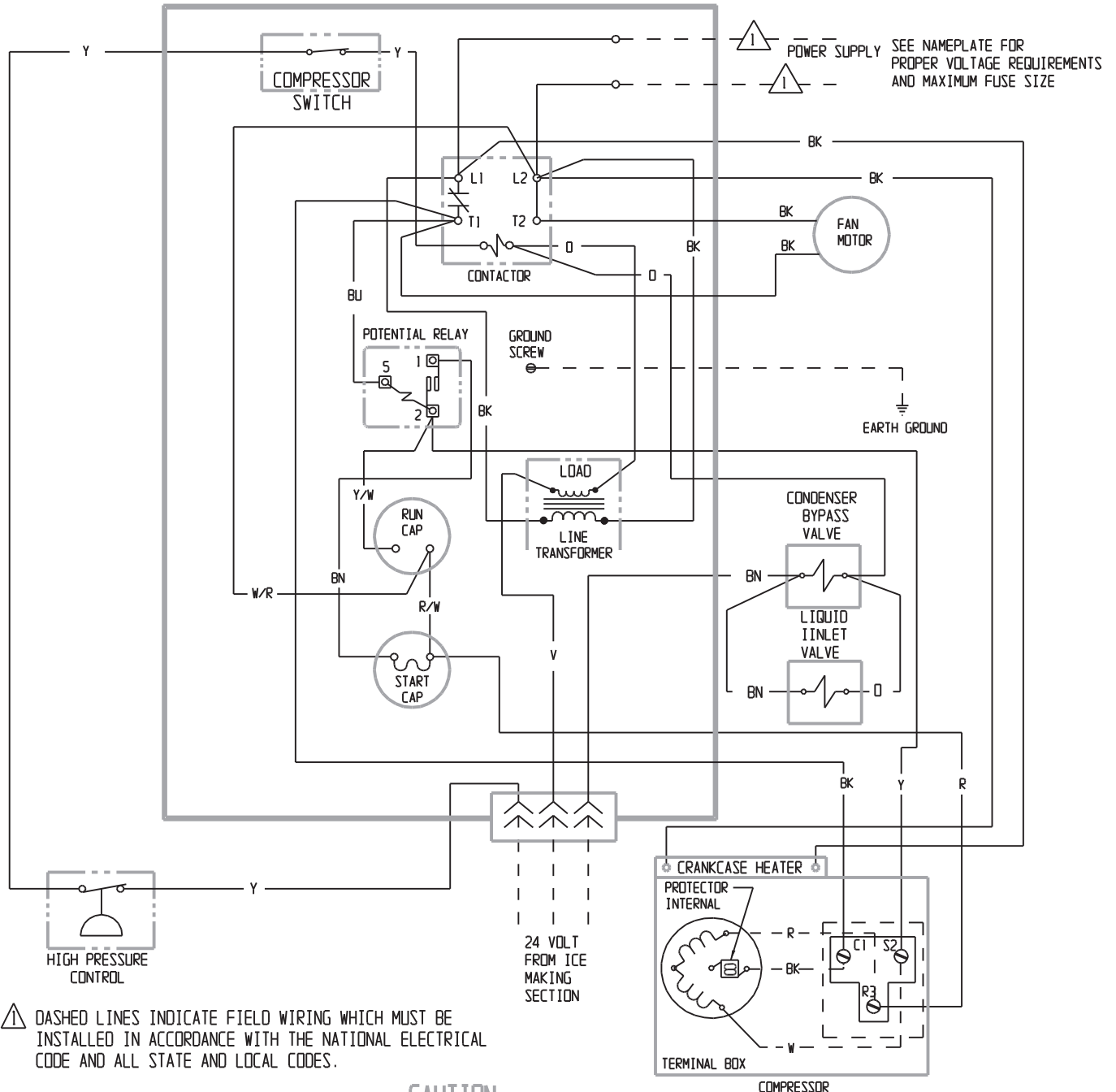
CAUTION: MORE THAN ONE DISCONNECT MEANS MAY BE REQUIRED TO DISCONNECT ALL POWER TO THIS UNIT.

# ECC and MC222L Service Parts

## ECC0800 Single Phase Wiring Diagram

17-3461-01

USE COPPER CONDUCTORS ONLY



⚠ DASHED LINES INDICATE FIELD WIRING WHICH MUST BE INSTALLED IN ACCORDANCE WITH THE NATIONAL ELECTRICAL CODE AND ALL STATE AND LOCAL CODES.

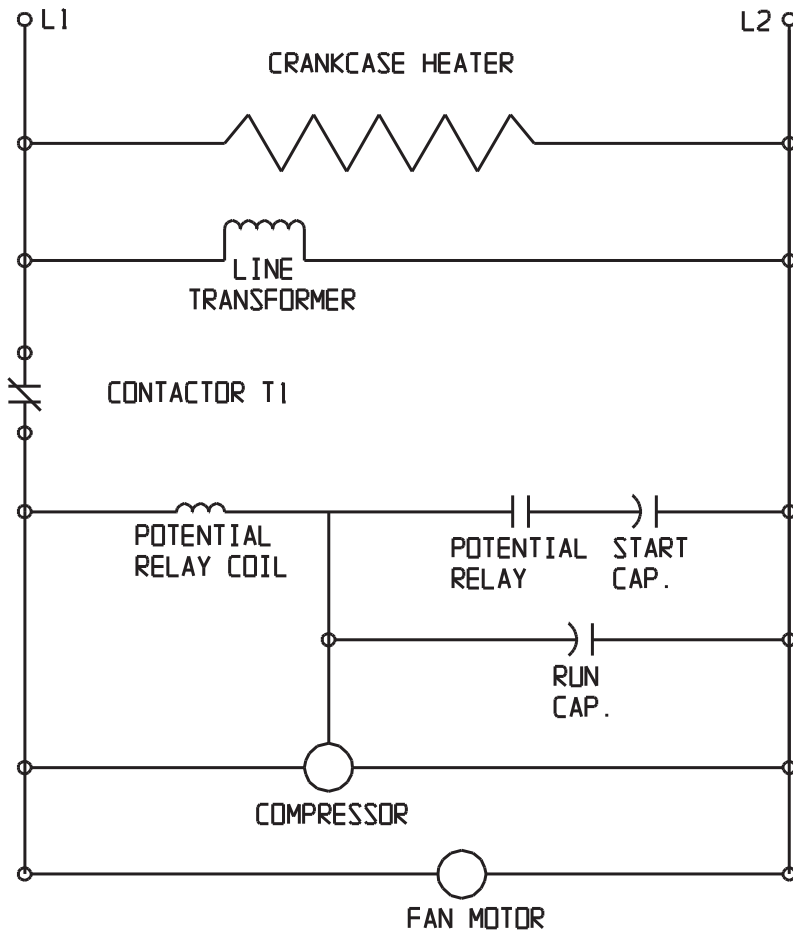
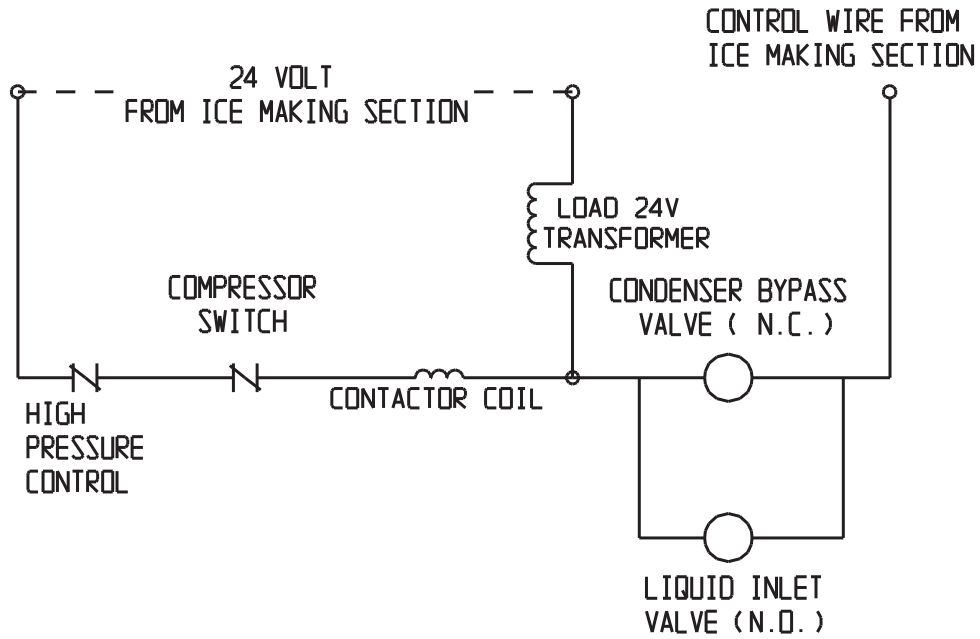
CAUTION:

MORE THAN ONE DISCONNECT MEANS MAY BE REQUIRED TO DISCONNECT ALL POWER TO THIS UNIT.

THIS UNIT MUST BE GROUNDED.

# ECC and MC222L Service Parts

## ECC0800 Single Phase Schematic Diagram

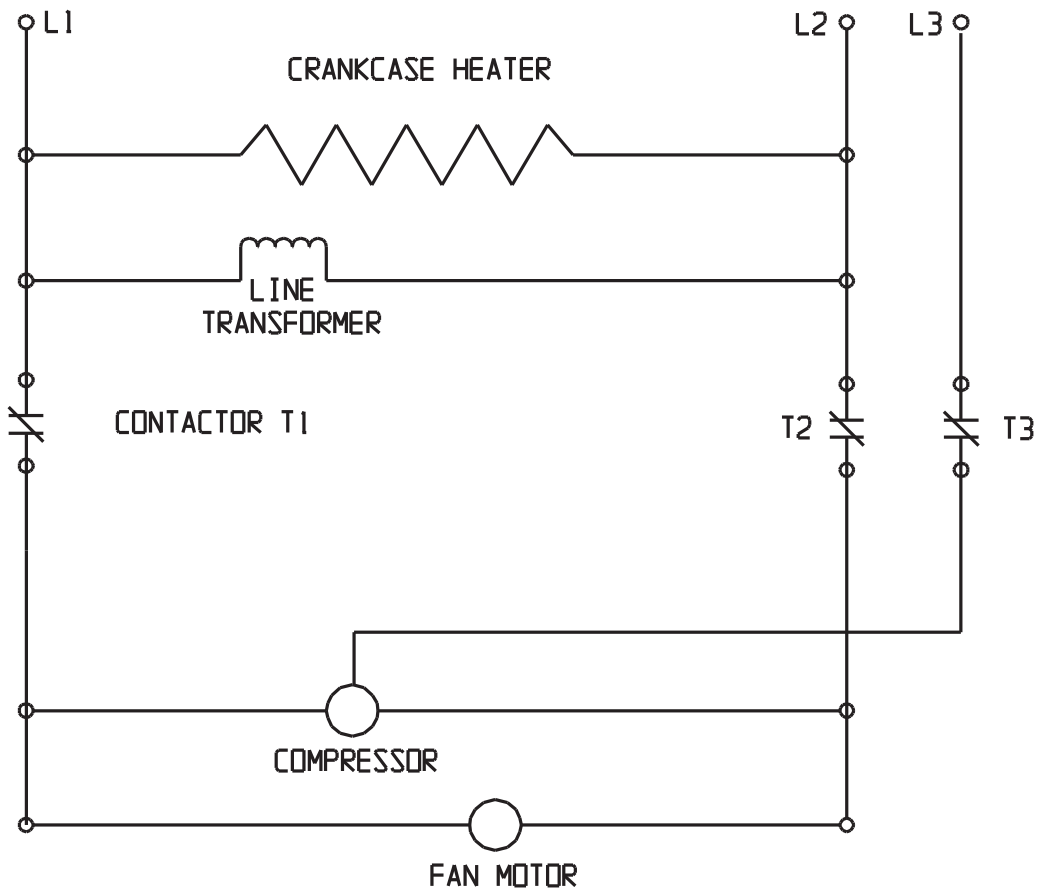
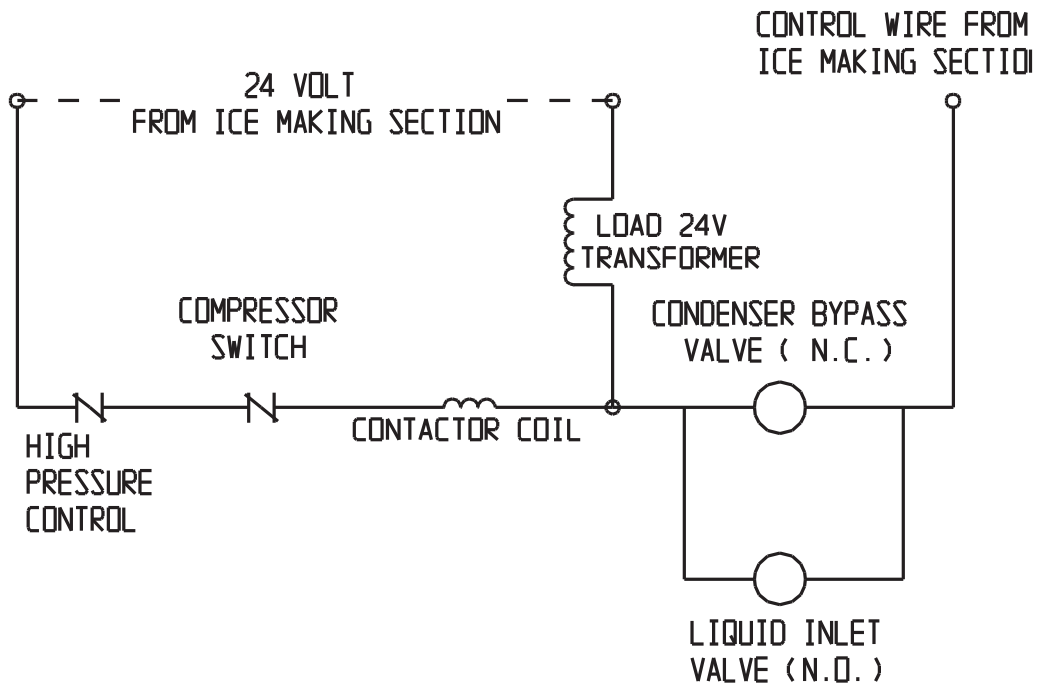






# ECC and MC222L Service Parts

## ECC0800 Three Phase Schematic Diagram

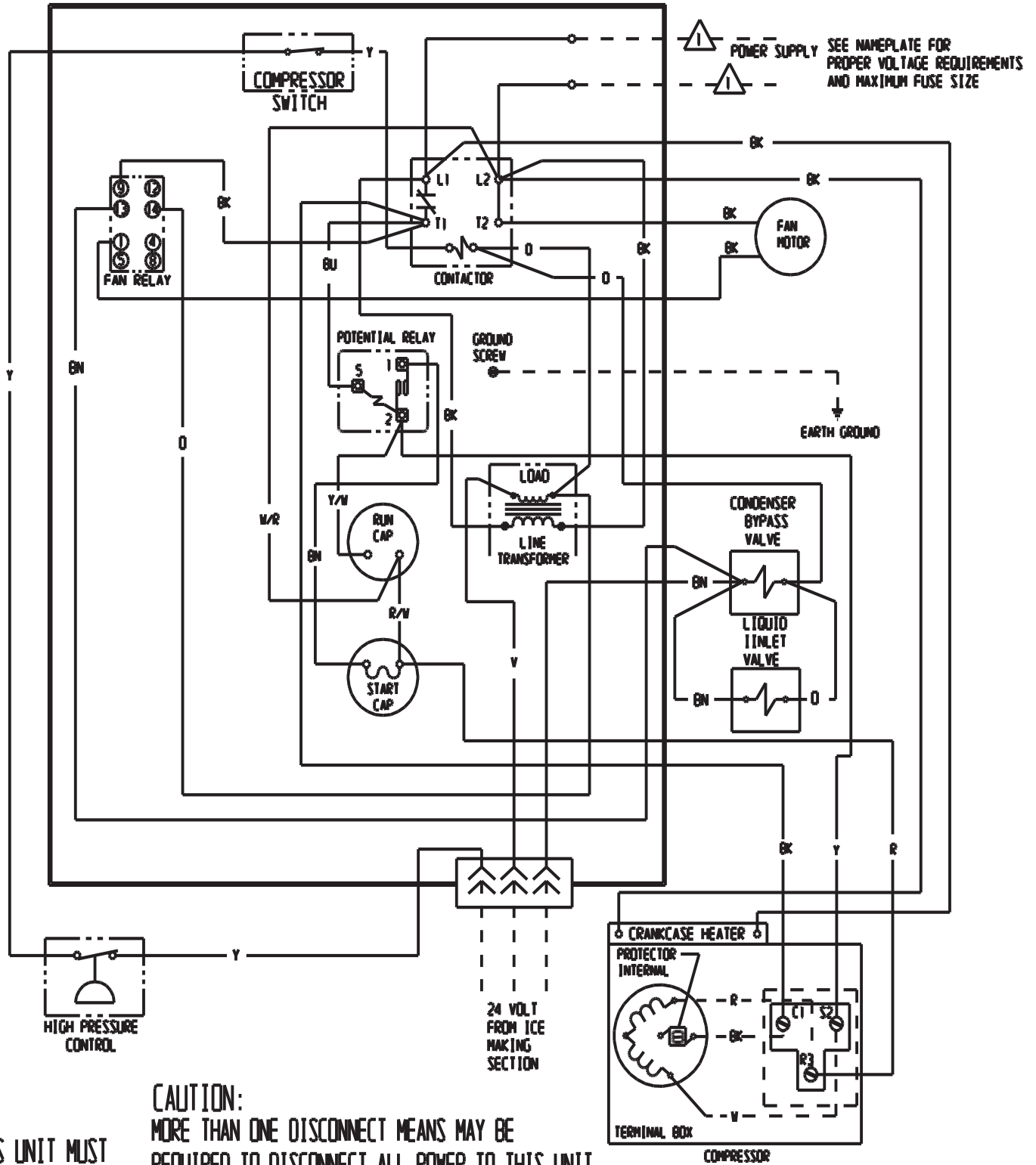


# ECC and MC222L Service Parts

## ECC1410 Single Phase Wiring Diagram

17-3653-01

USE COPPER CONDUCTORS ONLY



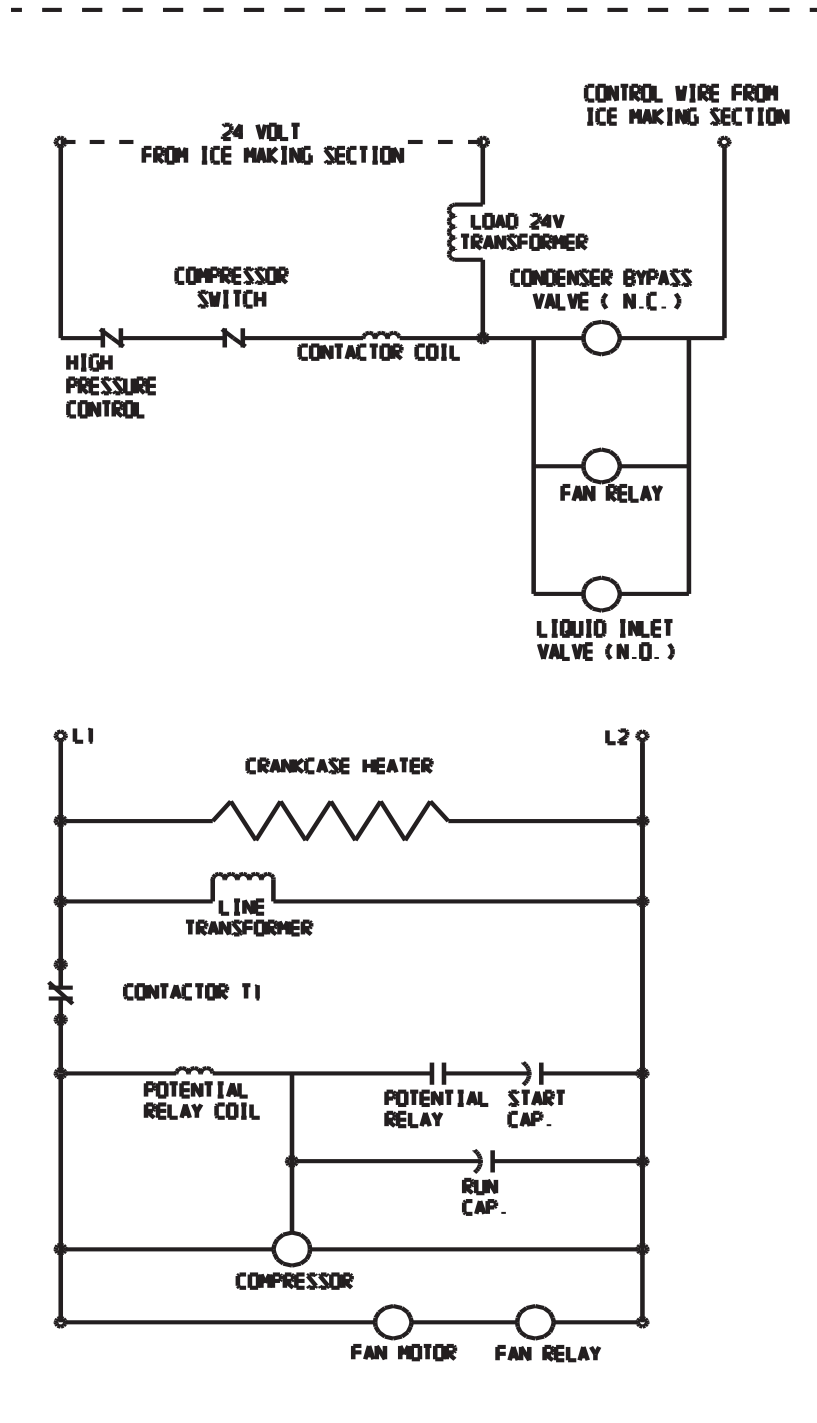
THIS UNIT MUST BE GROUNDED.

CAUTION:  
MORE THAN ONE DISCONNECT MEANS MAY BE REQUIRED TO DISCONNECT ALL POWER TO THIS UNIT.

# ECC and MC222L Service Parts

## ECC1410 Single Phase Schematic Diagram

CODE AND ALL STATE AND LOCAL CODES.

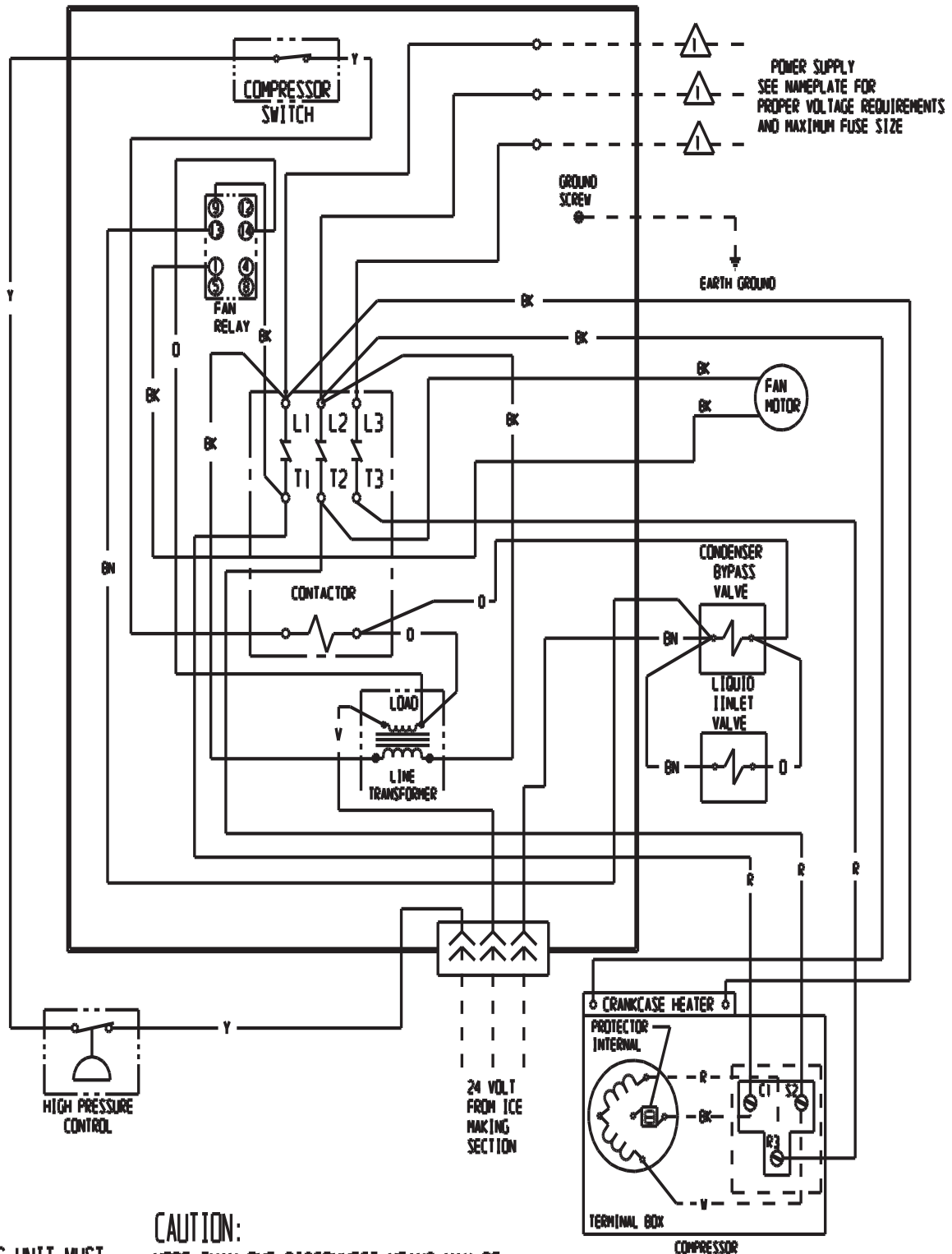


# ECC and MC222L Service Parts

## ECC1410 Three Phase Wiring Diagram

17-3652-01

USE COPPER CONDUCTORS ONLY



THIS UNIT MUST BE GROUNDED.

**CAUTION:**  
MORE THAN ONE DISCONNECT MEANS MAY BE REQUIRED TO DISCONNECT ALL POWER TO THIS UNIT.

# ECC and MC222L Service Parts

## ECC1410 Three Phase Schematic Diagram

**⚠ DASHED LINES INDICATE FIELD WIRING WHICH MUST BE INSTALLED IN ACCORDANCE WITH THE NATIONAL ELECTRICAL CODE AND ALL STATE AND LOCAL CODES.**

